

匯統國際股份有限公司  
Huey Tung International Co., Ltd.

# 產品規格書 Specification

[ Model : HT-2 3/4(8104)/ 2008.09.08 version ]



**Cara Audio Corporation**

No.69, Lane 762, Dingzhong Road, Sanmin District, Kaohsiung City, Taiwan, ROC.


Tel: 886-7-310 5786 / Fax: 886-7-310 0783

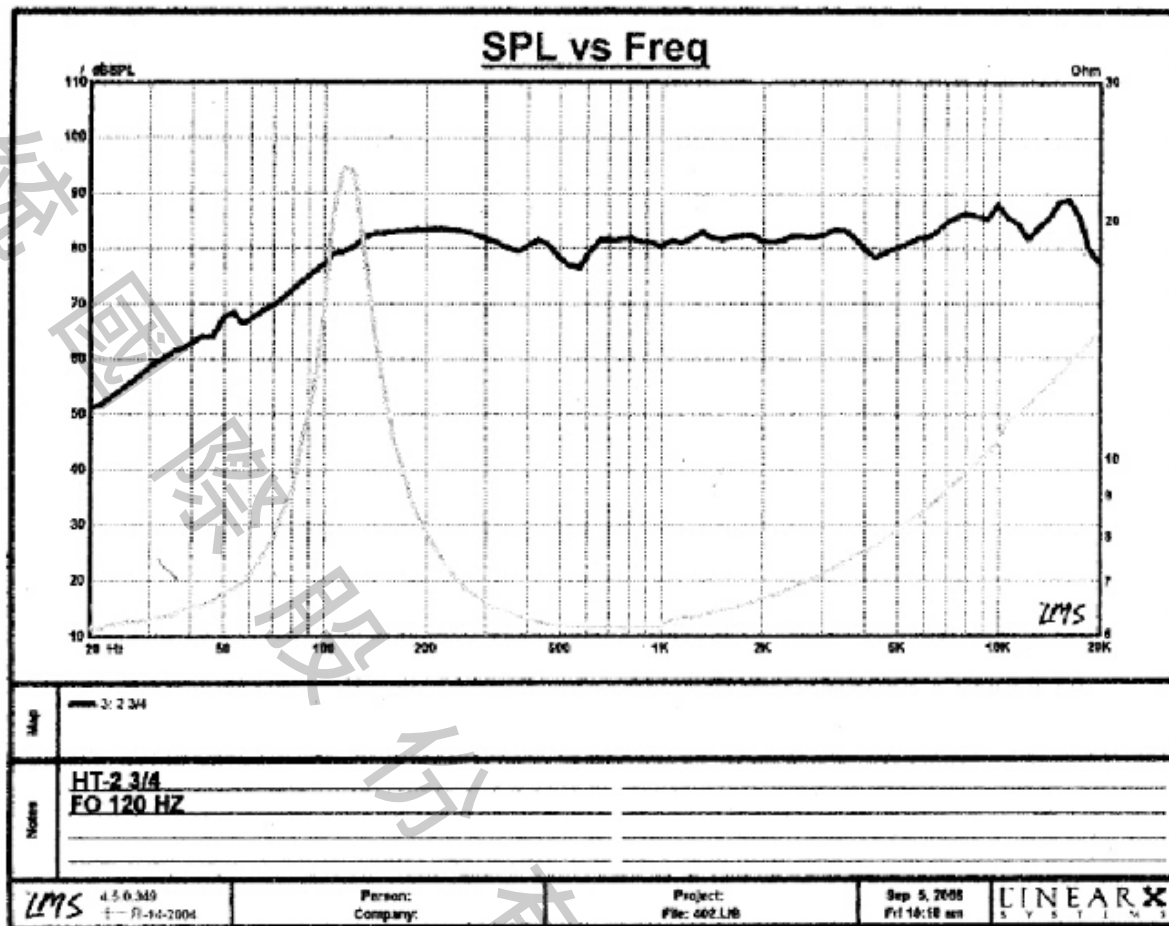
E-mail: [carawang@hueytung.com.tw](mailto:carawang@hueytung.com.tw) / <http://www.hueytung.com.tw>

# 揚聲器製品規格書

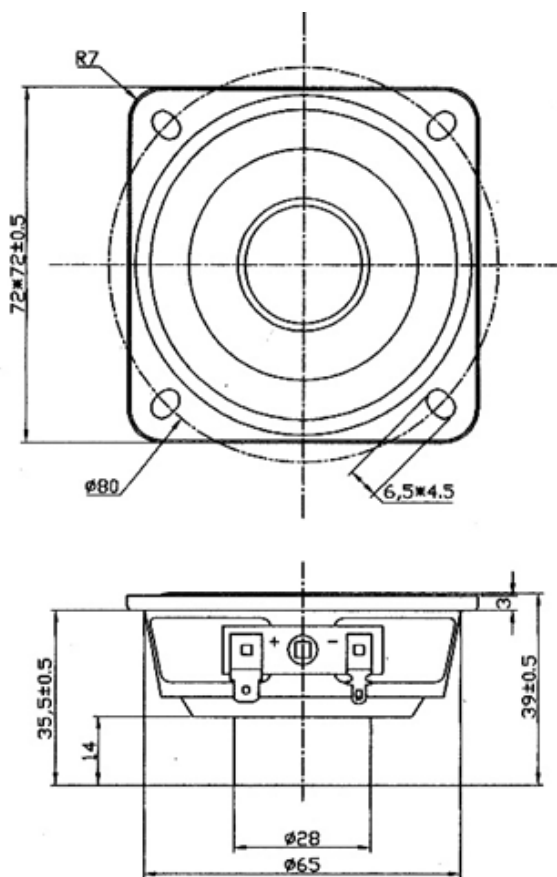
## SPEAKER SPECIFICATION

型號 Model Number: HT-2 3/4 (8104)

項目 Items		規格 Specification		
1	公称阻抗 Nominal Impedance	6Ω±5% at 900Hz 1.0V		
2	最低共振周波数 Lowest Resonance Frequency	120 Hz±20%Hz Without a baffle		
3	实效周波数帯域 Effective Frequency Range	F0~18KHz -10dB		
4	出力音压 Output Sound Pressure Level	80dB±3dB 1W/1M at (600,800,1K,1.2K)Hz AVE.		
5	入力 Input	定格入力 Rated input 10 W	最大入力 Maximum input 20 W	
6	磁束密度 Flux Density	-----±10% GAUSS		
7	异常音试验电压 Buzz & Rattle Test	Must be normal at sine wave 5.48V		
8	动作试验电压 Operation Test	Must be normal at program source 7.45V		
9	极性 Polarity	LEFT”+” RIGHT”-“		
10	磁石尺寸/重量 Magnet Dimension/Weigh	Magnet: 19.5*5 N35 Sub Magnet:	/G	
11	连续负荷试验 Life Test	Pink noise 10W 96H	After the Test, Speaker should be meet the Outside and item 7,8	
12	耐热试验 Heat Resistance	70°C±5°C 30%-35%RH 8Hours and then room temperature 1 hours		
13	耐湿试验 Humidity Resistance	40°C±2°C 90%-95%RH 8Hours and then room temperature 1 hours		
14	耐寒试验 Cold Resistance	-25°C±2°C 24Hours and then room temperature 1 hours		
15	落下试验 Drop Test	/		
16	绝缘耐压试验 Insulation Resistance	Or more 1MΩ 以上		
17	周波数特性 Frequency Response Curve	参照附图 On Other Drawing		
18	失真率 Distortion	5% Maximum At 1000Hz 1W		
19	各部 材质	Cone	Paper cone + Foam Edge	
		Voice Coil	20Φ*6Ω ASV 同向 80°	
		Cap		
20	总重量 Total Weight	G		
	Size:72mm 試作發行: 2008. 09. 08	Approve:  Arthur	Check:  John	Design:  LIU



成品圖及照片 Mechanical Dimensions : HT-2 3/4(8104)



Tolerance: 0.5  
Unit: mm